

easycraft

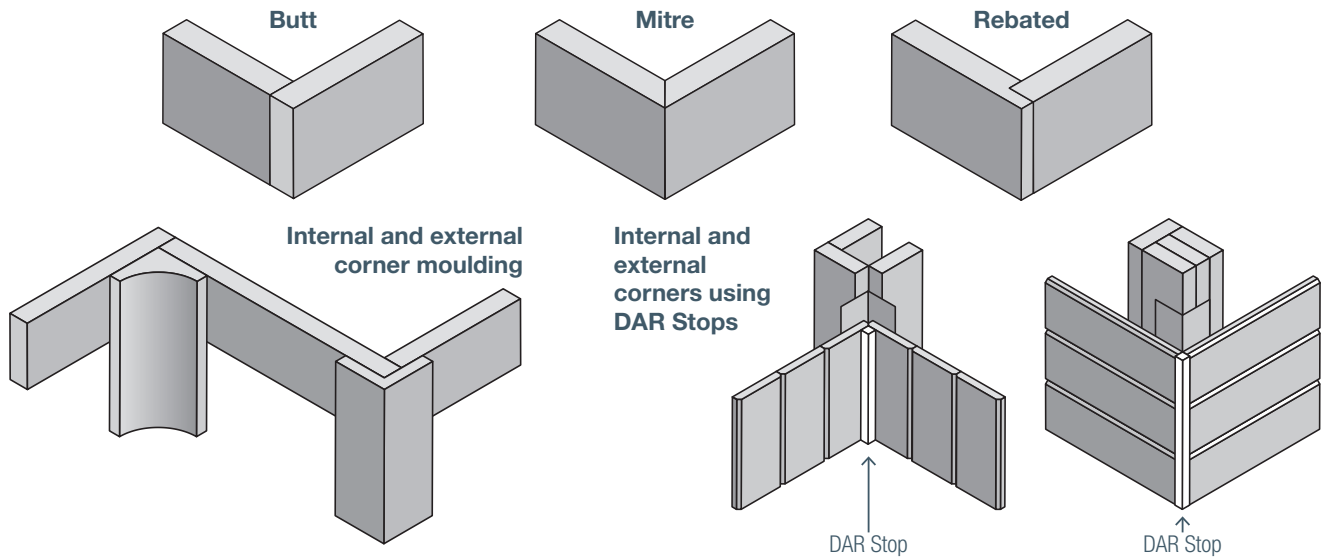
Decorative Wall & Ceiling Linings

DIY - HOW TO SERIES

Finishing Options



There are many options for finishing easycraft panels in wall & ceilings applications, similar to plasterboard. We highlight below some examples of preferred finishing options for corners and end joining. These products are available direct from most timber and hardware retailers. Visit easycraft.com.au for videos on how to install Easycraft wall panels



Below are some examples of product found in your local Reseller that may compliment and provide options in finishing off your Easycraft panel project. **Note: Easycraft supply 4 dado rails that suit our dado size panels (rebated) and full wall size panels (flat).**

