

# easycraft

## Decorative Wall & Ceiling Linings

### DIY - HOW TO SERIES

#### General Product & Installation



#### General Product Information

- Product should be delivered to site a minimum 48 hours prior to installation and stored in the environment of where it is to be installed to allow it to acclimatise.
- The framing must be straight and true.
- For Wall & Ceiling applications framing can be placed at 600mm centres or less. We recommend for ceilings, framing placed at 450mm.
- Easycraft wall linings can be joined off the studs but these joins must be supported by additional noggins at 450mm maximum spacing.
- Fixings should be positioned no closer than 25mm to a corner and no closer than 15mm to the edge. This positioning will prevent splintering and breakout.
- A 10mm gap must be left at the floor if the wall lining is being installed only part way up the wall.
- A 5mm gap must be left at the top of the sheet if the wall lining is being installed from floor to ceiling.
- A 0.5mm expansion gap should be allowed at each join. Do not 'Hard Knock' the panels together.
- For each metre width of wall or ceiling, allow approx. 1.0mm for an expansion gap at the outer perimeters of your wall or ceiling. (e.g. 6m wall x 1.0mm = 6mm therefore leave a 3mm gap at each outer edge of wall or ceiling)
- Decide how you wish to finish off internal and external corners before you install the first sheet.
- Where an internal wall lining is backing onto an external wall we recommend the back surface of the wall lining be undercoated with a paint primer.
- When installed as a ceiling lining the back of the sheet should be undercoated prior to installation. We recommend for ceiling applications that you DO NOT end butt sheets due to the potential for movement.
- For high moisture areas, bathrooms, laundries and semi exterior use, we recommend using our 'Wet Area' products.

#### These are recommendations only.

Always consult with a local Registered Builder experienced in the use of these types of products and to ensure you comply with all relevant building regulations.

#### Sheet and Profile Dimensions

Please note, presented board & profile dimensions are nominal sizes and are subject to manufacturing variance. Please check all panels on deliver to pre-plan installation based on sizing received. When end-joining wall and ceiling panels profiles may not align exactly, so we recommend a moulding be placed over the join to minimise any variance.

#### Pre-conditioning of Boards Prior to Installation

Pre-conditioning MDF boards is recommended to ensure that they attain an equilibrium moisture content (EMC) before fixing, so as to reduce the likelihood of bowing or shrinkage after they have been fixed. Some boards may achieve an EMC simply by being stored for some time in the location where they are to be used without any positive conditioning.

Never store material outdoors or in an open area (verandah) or areas with newly poured concrete or in rooms that have been recently plastered. Always try to store the board in the area that they are to be used on gluts lifted up off the floor and let acclimatise.

#### MDF MR Material

As with solid wood, MDF is a hygroscopic material (meaning it readily takes up and retains moisture), thus its moisture content depends on the relative humidity and air temperature in the surrounding environment. As the moisture content of MDF changes, it is subject to dimensional changes.

There are many variables which can ultimately affect the performance of timber, including the surrounding environment, quality of installation and quality of framing. But managing changes in the environment humidity levels and moisture content plays a very important role in achieving the best results from the product. In environments that can experience large changes in air temperature and humidity you may experience movement in the panels, either expansion or shrinkage.

# easycraft

## Decorative Wall & Ceiling Linings

### DIY - HOW TO SERIES

#### General Product & Installation



#### Tools and Equipment Required

- Tape Measure
- Hand Saw or Power Saw
- Hammer / Nail Gun or Screw Gun
- Pencil
- Spirit Level
- String Line
- Caulking Cartridge Gun or Spatula
- P1 or P2 Dust Mask
- Safety Glasses (complying with AS1337)

#### Cutting:

Easycraft Wall Linings can be easily cut with a Power Saw or Hand Saw. When using a Power Saw, cut the board with the face side down. When using a Hand Saw, cut the board with the face side up.

#### Fixing:

If fixing with power tools ensure the driving pressure is only sufficient to drive the head marginally below the surface. If the driving pressure is too high and the nail is driven in too far, splitting of the board could occur and tool marks will show.

Please refer to our website, Help Centre for more detailed product and installation information.

#### Safety

Easycraft products are manufactured from wood products. Accordingly, machine tools should be fitted with dust extractors and operators should wear a dust mask and eye protection. Further information is contained in the respective product Material safety Data Sheets (MSDS) available on our web site.

#### Wet Area Paint Finishes

Paint Manufacturers' may not offer a warranty when applying their paint product onto another manufacturer's base primer.

We recommend you trial the application of the final paint coat onto our primer prior to installation and your final application.

Wet Area products can be ordered as a raw, unprimed product to allow you to apply both the base primer and final coat from the paint manufacturer of your choice.

#### Consumables

The following is a list of products that are suggested will perform in typical product applications.

##### • Nails

Must be long enough to penetrate the studs at least 30mm.

##### **Fixing wall linings:**

- Hammer – use 2mm x 40mm anti-rust bullet head nail
- Nail Gun – use Paslode ND Brads 14ga x 45mm

##### **Fixing ceiling linings:**

- Nail Gun – use Paslode Duo-Fast C2.5 x 45 Ring Shank

##### • Screws

##### **Fixing into timber frame:**

ICCONS: Needle point CSK head part No. TP796)

- 8 -15 x 20 or 30mm

ICCONS: Collated

- Needle point CSK head collated (IC Find # 796C or 798C)
- 8 -15 x 20 or 30mm

##### **Fixing into steel frame:**

ICCONS: Self-Drilling CSK head Self embed head (part No. TP326)

- 8 -18 x 20 or 30mm

ICCONS: Collated

- Self-Drilling CSK head Self embed head collated (IC Find # 344C or 346C)
- 8 -15 x 20 or 30mm

##### • Glues

A flexible construction adhesive or stud adhesive should be used for fixing the sheets to the studs and noggins.

##### • Miscellaneous

- Spacers – use off cuts of the 9mm MDF or 10mm timber pieces.
- PVA adhesive for glueing corners together and mouldings in place.
- Best to use a Timber based filler to fill nail or screw holes.

Easycraft has a policy of continuous product testing and improvement. For this reason we reserve the right to make any changes or modifications to the information contained in this document as we consider necessary and without notice. E&OE.

# easycraft

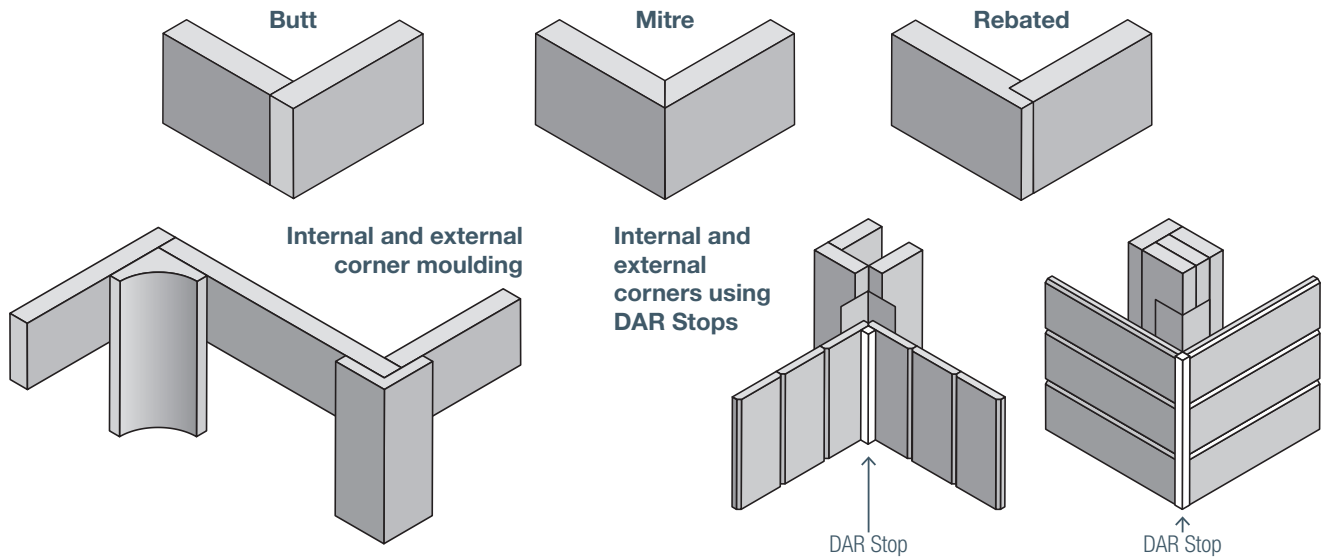
## Decorative Wall & Ceiling Linings

### DIY - HOW TO SERIES

#### Finishing Options



There are many options for finishing easycraft panels in wall & ceilings applications, similar to plasterboard. We highlight below some examples of preferred finishing options for corners and end joining. These products are available direct from most timber and hardware retailers. Visit [easycraft.com.au](http://easycraft.com.au) for videos on how to install Easycraft wall panels



Below are some examples of product found in your local Reseller that may compliment and provide options in finishing off your Easycraft panel project. **Note: Easycraft supply 4 dado rails that suit our dado size panels (rebated) and full wall size panels (flat).**

